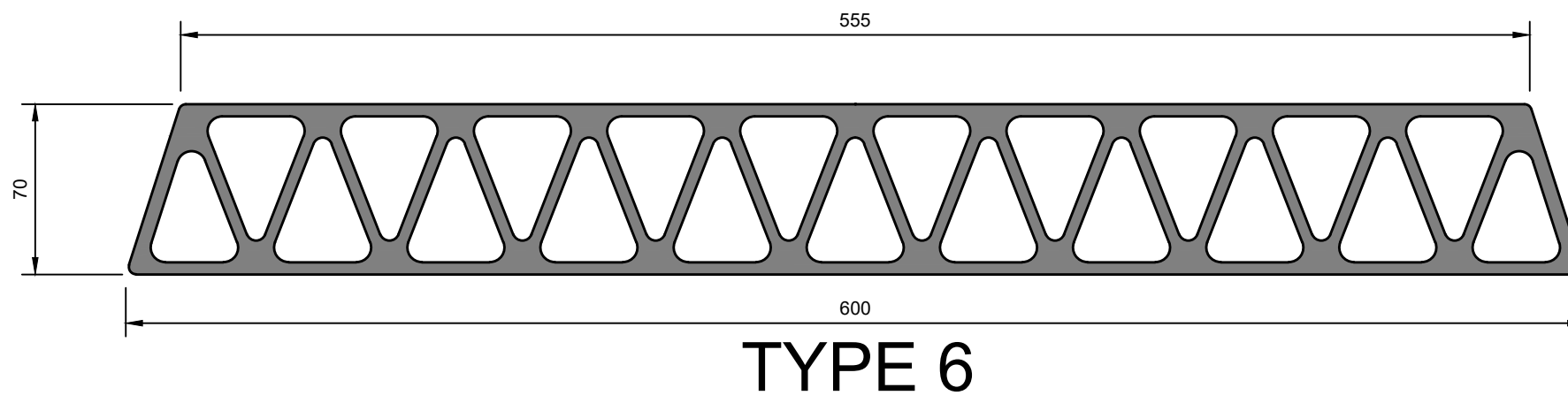
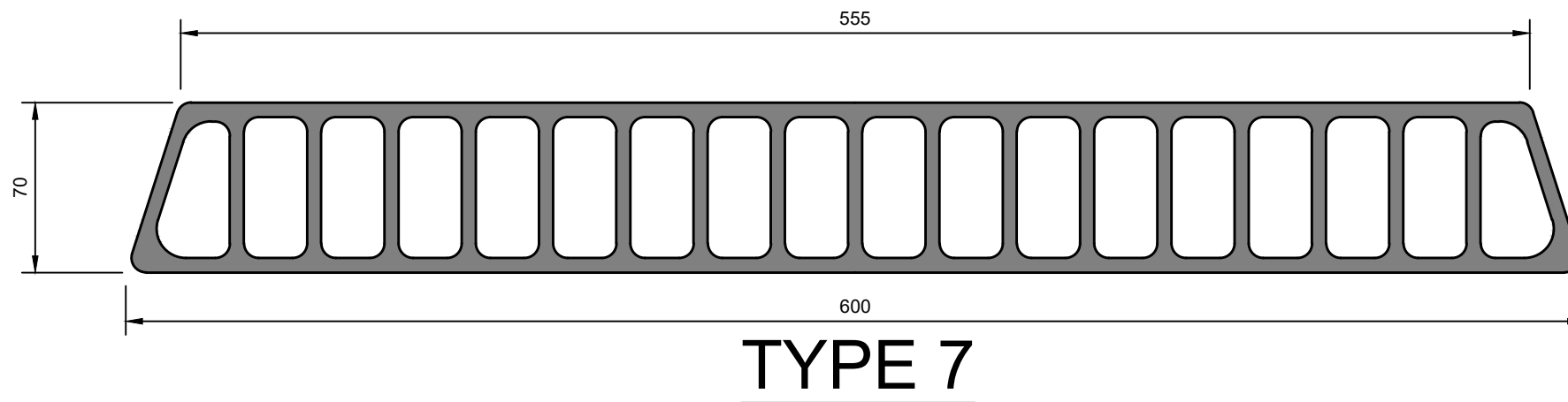
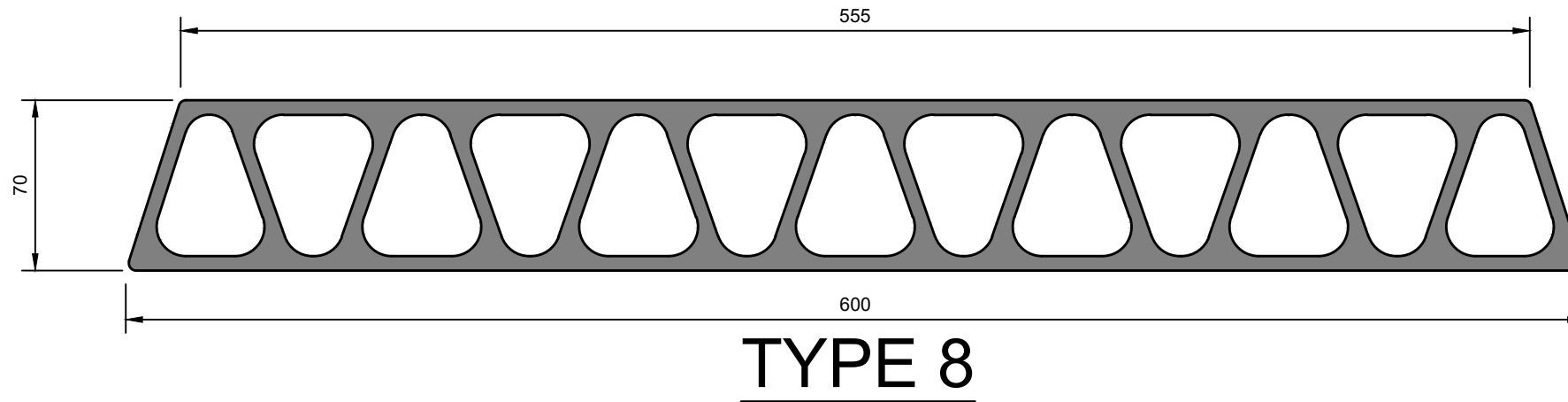


DO NOT SCALE THIS DRAWING - IF IN DOUBT ASK



Revision	Description	Date	Initial	Checked



Brilliant Ideas Ltd
 New House Farm
 Belper Road
 Bradley
 Ashbourne
 DE6 1LP
 Telephone: +44 (0) 1335 345 111
 Website: www.brilliantideasltd.co.uk

Drawing Title:
ALIMATS®
 HALF LOADER CONCEPT DRAWING

Drawn By: DW	Scale @ A3: NTS
Checked By: KH	Date: 08/02/2023
Drawing Number: A-BIL-HL-1M-600-FEB	Revision: